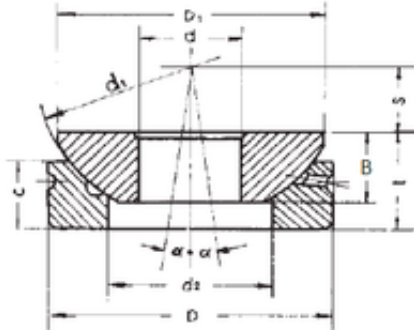


## 25 mm x 62 mm x 16,5 mm FBJ GX25S paliers lisses



Bearing No. GX25S

Size	25x62x22.5 mm
Bore Diameter	25 mm
Outer Diameter	62 mm
Width	22,5 mm
d	25 mm
D	62 mm
T	22,5 mm
B	16,5 mm
C	16,7 mm
d1	68 mm
d2	34,5 mm
D1	58,5 mm
S	14 mm
Angle	7 °
Weight	0,415 Kg
Basic dynamic load rating (C)	129 kN

GX25S Bearing 2D drawings and 3D CAD models