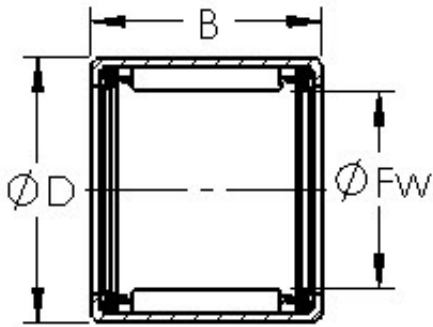




Aboud automobile.



AST SCE812PP roulements à aiguilles

Bearing No. SCE812PP

Bore Diameter	12,7 mm
Outer Diameter	17,4752 mm
Width	19,05 mm
Bearing Type	Cage Retained Rollers, Two Seals
Outer Dia (D)	0.6880
Width (B)	0.7500
Dynamic Load Rating (Cr)	1,980
Static Load Rating (Cor)	2,750
Max Speed (Grease) (X1000 RPM)	15,000
Shaft (Fw)	0.500
Weight (g)	14.00
Material - Drawn cup: Hardened carbon steel alloy, Rollers	52100 Chrome steel or equivalent

SCE812PP Bearing 2D drawings and 3D CAD models