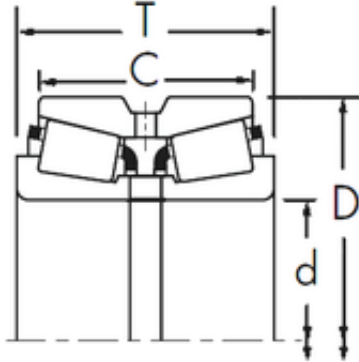




Abboud automobile.



Timken L305649/L305610D+L305649XC Roulements à rouleaux coniques

Bearing No. L305649/L305610D+L305649XC

Size	50.8x80.962x42.865 mm
Bore Diameter	50,8 mm
Outer Diameter	80,962 mm
Width	42,865 mm
d	50,8 mm
D	80,962 mm
T	42,865 mm
C	34,925 mm
R	1,5 mm
r	0,8 mm

L305649/L305610D+L305649XC Bearing 2D drawings
and 3D CAD models